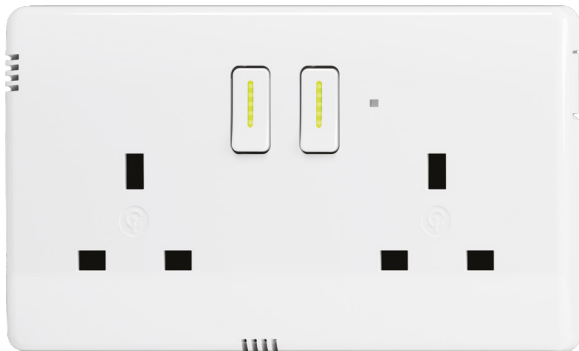


Ci Max

Safety socket with energy control



The Ci Max Double Safety Smart Socket Outlet is a sustainable solution that provides advanced safety and energy monitoring features that allow for carbon footprint reduction. It is equipped with overcurrent protection as well as patented Ci ThermalVision™ technology for high temperature detection which ensures that the outlet is safe to use. Additionally, it can detect other hazards like electrical arcing, smoke, carbon monoxide, and other hazardous gases. The socket also monitors environmental variables like external and internal temperature, humidity, and vibrations. It can be optionally equipped with contactless water detection sensors, carbon dioxide sensor, or hydrogen chloride sensor. The Matter* connectivity standard conformance allows the outlets to be remotely controlled via Google Home, Alexa or Apple HomeKit.

*Matter is an Open Source interoperability standard. Devices that comply with the standard can interact regardless of the manufacturer.

Part Numbers

CISS 2 01 MAX

Standards and Approvals

REGULATIONS AND DIRECTIVES:

Low Voltage Directive (2014/35/EU)
EMC Directive (2014/30/EU)
Radio Equipment Directive (2014/53/EU)
The RoHS Directive 2011/65/EU amended by Directive EU/2015/863
The Plugs and Sockets etc. (Safety) Regulations 1994

The WEEE Directive 2012/19/EU
REACH EC 1907/2006
Gulf Technical Regulation
BD-142004-01

STANDARDS

BS 1363-2:2023
EN IEC 60669-21:2022+A11:2022
EN 62368-1:2014+ AC:2015
EN IEC 63000:2018
EN 61000-6-1:2019
EN 61000-6-3:2007+A1:2011+AC:2012
ETSI EN 300 220-2 V3.2.1 (2018-06)
ETSI EN 300 328 V2.2.2 (2019-07)
ETSI EN 300 330 V2.1.1 (2017-02)

ETSI EN 301 489-1 V2.2.3 (2019-11)
ETSI EN 301 489-3 V2.1.1 (2019-03)
ETSI EN 301 489-17 V3.2.4 (2020-09)
EN 62479:2010
IEC 60884-1:2022
SASO 2203:2015

Regional Certification

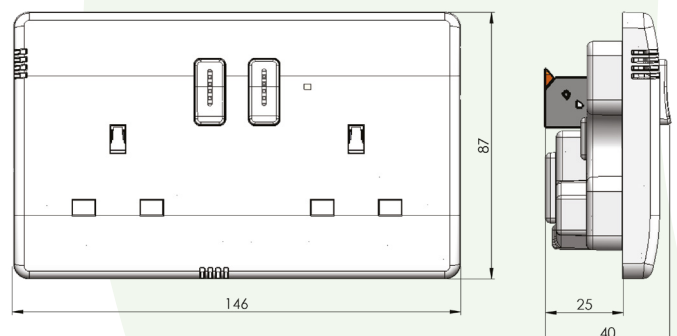
CE - UK
TRA - UAE
ECAS - UAE
GCC - UAE
UAE ROHS - UAE
SASO - Saudi Arabia

Socket Features

- 13 Amp 2 Gang switched double socket outlet
- 3 Pin Operated Safety Shutter
- Safe WAGO rapid install terminals (lever clamp)
- External easily accessible isolation switch for internal electrical installation tests
- Advanced patented Ci ThermalVision™ technology
- Precise power monitoring and overcurrent detection
- Arcing/connection fault detection
- External temperature and humidity sensor
- Smoke sensor
- External sound analyser
- Building vibration/earthquake detection
- Hazardous gas sensor
- 2 status LED arrays with auto-dimming. Can be used for visualisation of temperature or power live monitoring
- Matter compatible for control using Google Home, Alexa or Apple HomeKit
- NFC Commissioning
- Built in NFC reader that enables asset tracking, product recall, PAT test monitoring, security monitoring of connected devices and automatic appliance identification
- Tamper Protection
- Direct replacement for existing sockets

Solution Features

- Integration with Ci SAFEMAP prevention, alert and evacuation system
- Reliable OpenThread mesh network based on Ci Hub gateway
- Integration with third party building management systems using Ci interface board (CIB)
- Metering and optimisation of energy consumption at single socket level with optional automatic shutdown, contributing to carbon footprint reduction
- Safe, remote shutdown of computer equipment connected to Ci sockets
- Ci Connect app for device management, monitoring and alerts
- Advanced AI-based power optimisation based on long term usage trends
- Landlord remote access feature for socket monitoring and control
- OTA (over-the-air) firmware updates



The safest and smartest socket in the world

Ci Max Safety socket with energy control

Technical specification

ELECTRICAL:

- Operating Voltage: 175-265VAC
- Operating Frequency: 47~63Hz
- Current Rating: 13A (20A max for both plugs in total)
- Terminal Capacity: Live, neutral & protected earth 3 lever clamp terminals accepting 1.5mm², 2.5mm², 4mm² wire (in accordance with our installation manual)
- IP rating: IP2X

RF:

- OpenThread (IEEE 802.15.4)
- Frequency: 2.4GHz
- Antenna type: Built-in, quarter-wavelength 2.4GHz band monopole antenna, one per radio module
- Two radio modules:
 - One for the socket control for residential users (Matter)
 - One for integration with Ci SAFEMAP system, security and functional updates and landlord control
- BLE: Commissioning purpose ONLY
- NFC: 2 near field communication modules (13.56 MHz)

ENVIRONMENTAL:

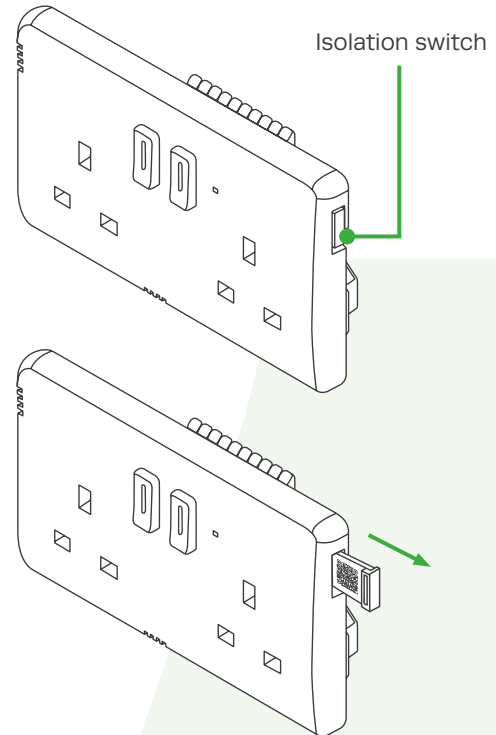
- Operating Temperature: 0°C ~ +33°C
- Storage temperature: -20°C ~ +60°C
- Humidity: 0 ~ 95% non-condensing
- MAX. installation altitude: 2000 meters

LED INDICATIONS:

- 2 rows of RGB LEDs with auto-dimming

Isolation Switch

Isolating switch for annual electrical installation tests, and sliding element containing Matter provisioning QR code.



Switch LED indicator guide

Condition	Indication	Notes
Socket OFF	Respective LED constant white	○ Power relay is disconnected
Socket ON	Respective LED constant green	● Power relay is connected
Overcurrent detected	Respective or both LEDs flash yellow	● Local power switched off
Thermal overload detected	Respective LED flash red	● Local power switched off
Arcing or connection fault detected	Both LEDs flash red and yellow	● Local power switched off
External sound detected	Both LEDs flash purple	● Action configured using Ci Connect app
Water detected	Both LEDs flash blue	● Action configured using Ci Connect app
Gas detected	Both LEDs flash yellow/green	● Action like switching off gas supply configured using Ci Connect app
Pairing/provisioning mode	Both LEDs flash white	● Matter or Ci Hub provisioning
Internal error	Both LEDs alternately flash red	●
Connecting to WiFi network	Two off flashes every 15 seconds	
Connecting to Ci Cloud Services	One off flash every 15 seconds	