

Ci One

Safety socket with energy control



The Ci One Double Safety Smart Socket Outlet is a sustainable solution that provides advanced safety and energy monitoring features that help reduce energy consumption. It is equipped with overcurrent protection as well as patented Ci ThermalVision™ technology for high temperature detection, which ensures that the outlet is safe to use. The Matter* connectivity standard conformance allows the outlets to be remotely controlled via Google Home, Alexa, or Apple HomeKit.

*Matter is an Open Source interoperability standard. Devices that comply with the standard can interact regardless of the manufacturer.

Socket Features

- 13 Amp 2 Gang switched double socket outlet
- 3 Pin Operated Safety Shutter
- Safe WAGO rapid install terminals (lever clamp)
- External easily accessible isolation switch for internal electrical installation tests
- Advanced patented Ci ThermalVision™ technology
- Precise power monitoring and overcurrent detection
- Arcing/connection fault detection
- External temperature and humidity sensor
- 2 status LED arrays with auto-dimming. Can be used for visualisation of temperature or power live monitoring
- Matter compatible for control using Google Home, Alexa or Apple HomeKit
- Direct replacement for existing sockets

Solution Features

- Metering and optimisation of energy consumption at single socket level, contributing to carbon footprint reduction
- Ci Connect app for device management, monitoring and alerts
- Advanced AI-based power optimisation based on long term usage trends
- Landlord remote access feature for socket monitoring and control
- OTA (over-the-air) firmware updates

Part Numbers

CISS 2 01 ONE

Standards and Approvals

REGULATIONS AND DIRECTIVES:

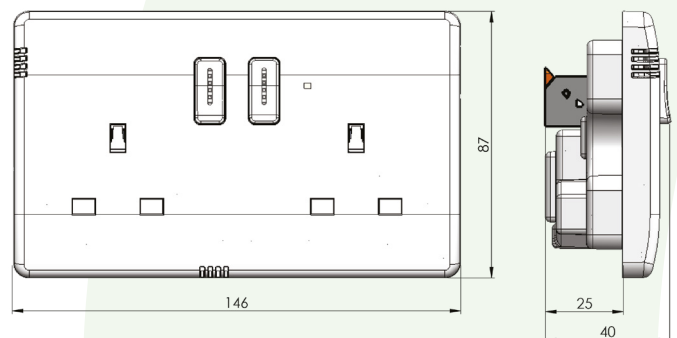
Low Voltage Directive (2014/35/EU)
 EMC Directive (2014/30/EU)
 Radio Equipment Directive (2014/53/EU)
 The RoHS Directive 2011/65/EU amended by Directive EU/2015/863
 The Plugs and Sockets etc. (Safety) Regulations 1994

The WEEE Directive 2012/19/EU
 REACH EC 1907/2006
 Gulf Technical Regulation BD-142004-01

STANDARDS

BS 1363-2:2023
 EN IEC 60669-21:2022+A11:2022
 EN 62368-1:2014+ AC:2015
 EN IEC 63000:2018
 EN 61000-6-1:2019
 EN 61000-6-3:2007+A1:2011+AC:2012
 ETSI EN 300 220-2 V3.2.1 (2018-06)
 ETSI EN 300 328 V2.2.2 (2019-07)
 ETSI EN 300 330 V2.1.1 (2017-02)

ETSI EN 301 489-1 V2.2.3 (2019-11)
 ETSI EN 301 489-3 V2.1.1 (2019-03)
 ETSI EN 301 489-17 V3.2.4 (2020-09)
 EN 62479:2010
 IEC 60884-1:2022
 SASO 2203:2015



Regional Certification

CE - UK
 TRA - UAE
 ECAS - UAE
 GCC - UAE
 UAE ROHS - UAE
 SASO - Saudi Arabia

The safest and smartest socket in the world

Ci One Safety socket with energy control

Technical specification

ELECTRICAL:

- Operating Voltage: 175-265VAC
- Operating Frequency: 47~63Hz
- Current Rating: 13A (20A max for both plugs in total)
- Terminal Capacity: Live, neutral & protected earth 3 lever clamp terminals accepting 1.5mm², 2.5mm², 4mm² wire (in accordance with our installation manual)
- IP rating: IP2X

RF:

- WiFi (IEEE 802.11ax)
- Frequency: 2.4GHz
- BLE: Commissioning purpose ONLY
- Antenna type: SMD 2.4GHz Ceramic

ENVIRONMENTAL:

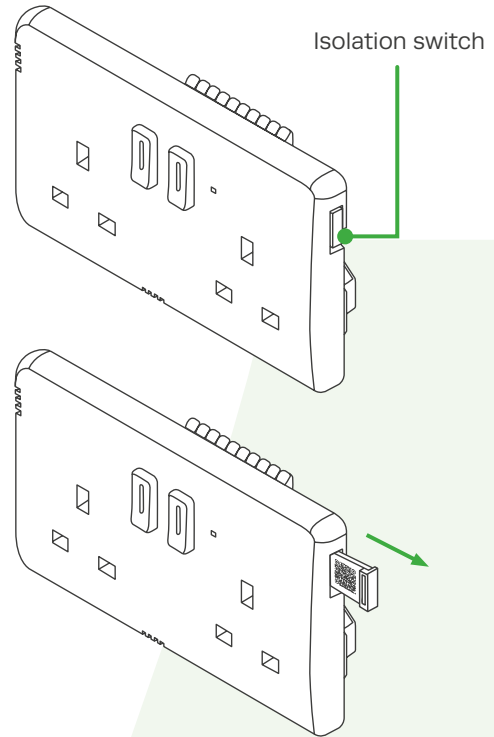
- Operating Temperature: 0°C ~ +33°C
- Storage temperature: -20°C ~ +60°C
- Humidity: 0 ~ 95% non-condensing
- MAX. installation altitude: 2000 meters

LED INDICATIONS:








- 2 rows of RGB LEDs with auto-dimming

Isolation Switch

Isolating switch for annual electrical installation tests, and sliding element containing Matter provisioning QR code.



Switch LED indicator guide

Condition	Indication	Notes
Socket OFF	Respective LED constant white	 Power relay is disconnected
Socket ON	Respective LED constant green	 Power relay is connected
Overcurrent detected	Respective or both LEDs flash yellow	 Local power switched off
Thermal overload detected	Respective LED flash red	 Local power switched off
Arcing or connection fault detected	Both LEDs flash red and yellow	 Local power switched off
Pairing/provisioning mode	Both LEDs flash white and green	 Matter or Ci Hub provisioning
Internal error	Both LEDs alternately flash red	
Connecting to WiFi network	Two off flashes every 15 seconds	
Connecting to Ci Cloud Services	One off flash every 15 seconds	